



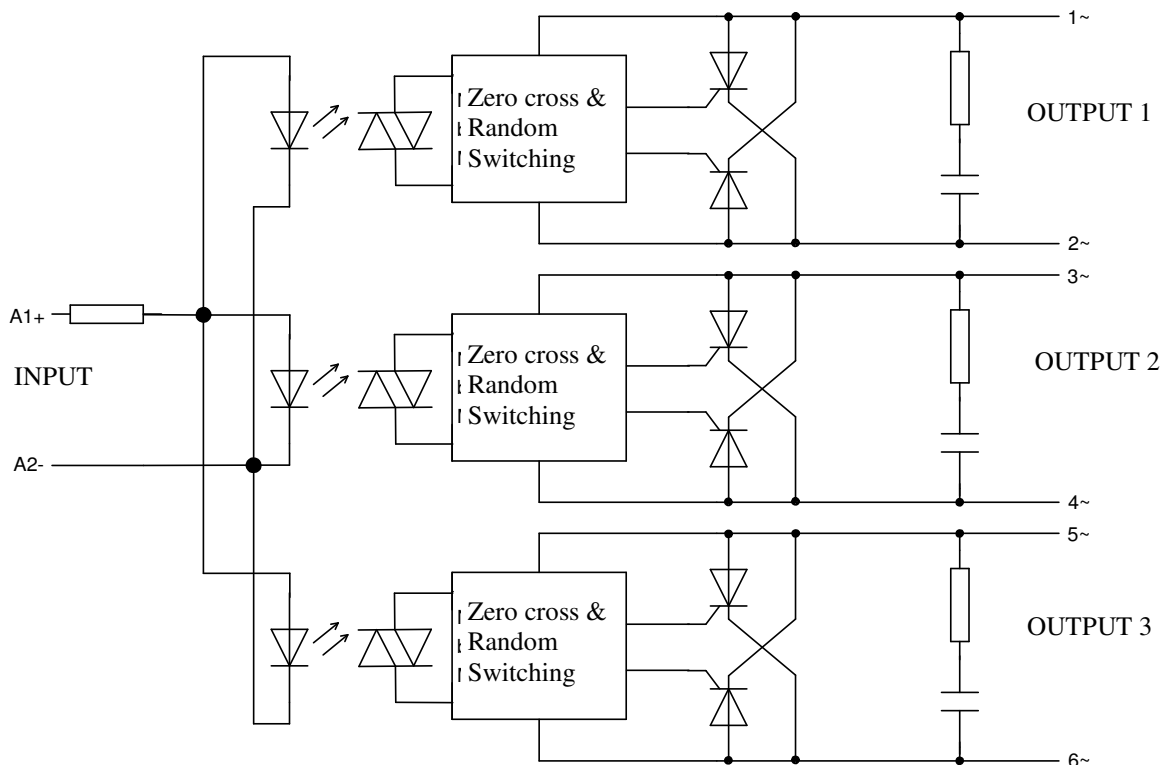
Features

Switching	Zero-cross and Random
Output	Back to back SCR
INPUT	DC
Applications	Three phase loads (motors, transformers) resistive and inductive loads with $\cos\phi > 0.85$ (Z-type) inductive load (R-type)

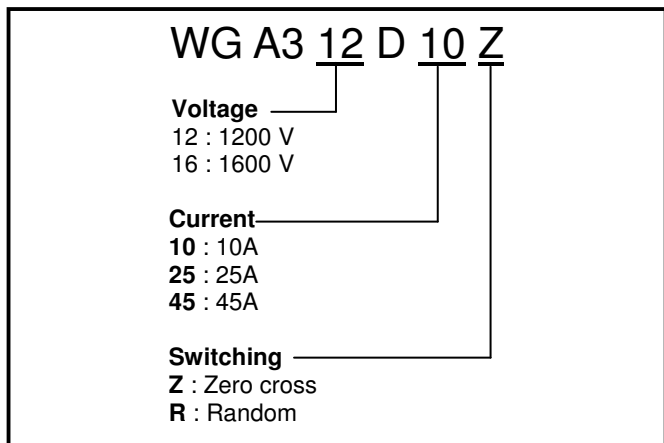
Technical data

	WG A3 12D... WG A3 16D...	10 Z	25 Z	45 Z	10 R	25 R	45 R
Input circuit							
Control voltage range	3...32 VDC						
Control current max	25 mA						
Turn-off voltage min..	1 VDC						
Input resistance	Constant current						
Output circuit							
Load voltage Range	24...480 VAC (12D) 24...660 VAC (16D)			48...480 VAC (12D) 48...660 VAC (16D)			
Peak-off state voltage	1200 V _{drm} (12D) 1600 V _{drm} (16D)						
Off-state leakage current	10 mA eff.						
Load current range	0,1..10 A	0,2..25 A	0,4..45 A	0,1..10 A	0,2..25 A	0,4..45 A	
Surge current 1 half wave	110 A _{peak}	230 A _{peak}	500 A _{peak}	110 A _{peak}	230 A _{peak}	500 A _{peak}	
I ² t for fusing	60 A ² s	260 A ² s	500 A ² s	60 A ² s	260 A ² s	500 A ² s	
On-state voltage	1,6 V _{peak}						
Off-state (static) dv/dt	1000 V/μs						
Snubber	47 Ω / 10 nF						
General data							
Turn-on time max.	11 ms	0,1 ms	11 ms	0,1 ms	11 ms	0,1 ms	
Turn-off time max.	11 ms						
Line frequency range.	47...63 Hz						
Isolation volt. between input/output	4.000 V						
Isolation volt. between input-output/base	2.500 V						
Isolation resistance	50 MΩ						
Operating temperature	-20...+80 °C						
Recommended varistor	SIOV-S20 K420						
Approvals							

Circuit diagram

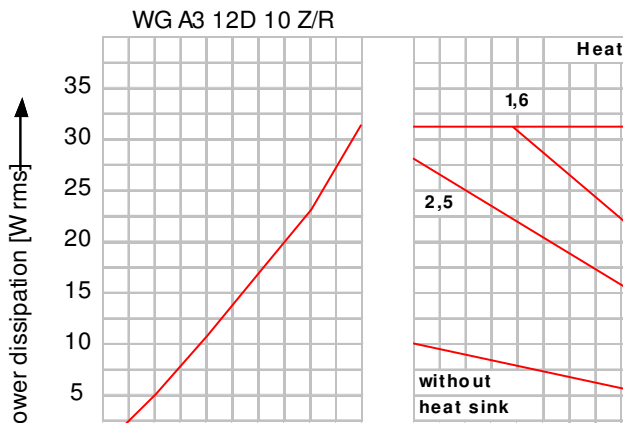


Ordering



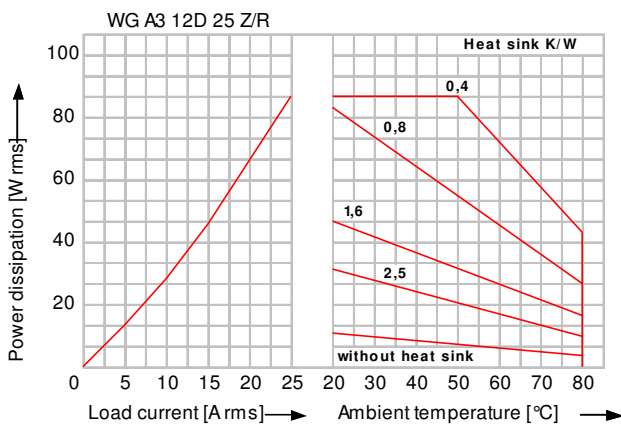
Description	Part Number
Protective case large	8440 5701 770
Thermal Conducting paste	8406 0180 020
Heat sink WG K2/100	5981 5701 110
Heat sink WG K3/160	5981 5701 370
Heat sink WG K4/160L	5981 5701 371
Mounting plate	5981 5701 420

Derating-diagrams



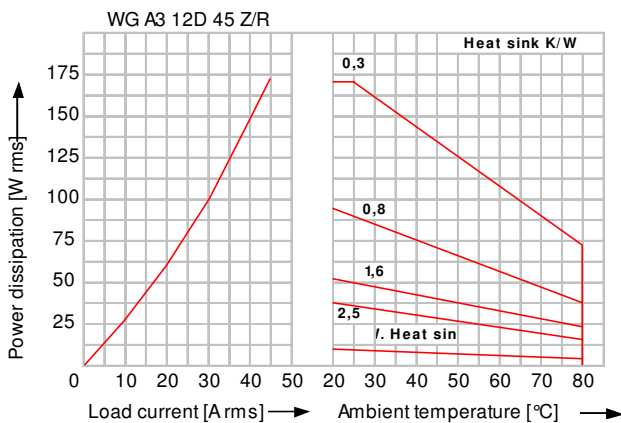
Load current for 1 SSR	
Heat sink	
WG K2/100	6 A
WG K3/160	10 A
WG K4/160L	10 A

Values for 40°C enclosure-temperature and mounted with conduction paste between the SSR and the heat sink



Load current for 1 SSR	
Heat sink	
WG K2/100	6 A
WG K3/160	16 A
WG K4/160L	25 A

Values for 40°C enclosure-temperature and mounted with conduction paste between the SSR and the heat sink



Load current for 1 SSR	
Heat sink	
WG K2/100	6 A
WG K3/160	17 A
WG K4/160L	42 A

Values for 40°C enclosure-temperature and mounted with conduction paste between the SSR and the heat sink